

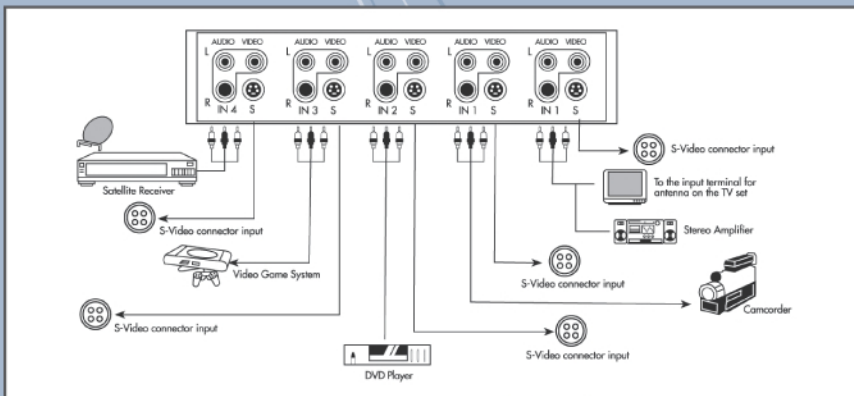


1. Connect a stereo RCA audio cable from the left (white) and right (red) audio outputs of each component to the left and right inputs of the selector.
2. Connect either an S-Video cable or RCA video cable from the video output on the selector. Where possible, the use of S-Video cables will provide superior picture quality.
3. Connect a stereo audio RCA cable from one of the left and right audio outputs on the selector to the left and right audio input of your TV or home theatre system.
4. Connect either an S-Video cable or RCA cable from the appropriate video output of the selector to the video input of the TV or home theatre system.

**Important:** You must use the same video cable type for both input and output or the signal will not be relayed through the selector.

5. Press the button on the front of the selector that corresponds to the component you want to use.
6. For headphones or multi-media speakers, use the 3.5mm stereo plug on the front of the selector.

**USAGE:** Allows connection of up to 4 audio/video components such as a satellite system, DVD player, Laser disc player, CD player, VCR, video game system, etc. to a television or home theatre system.



**SPACE TELEVISION**cc PO Box 9317 Johannesburg 2000 South Africa  
 Tel: 27 11 781 9900/1/2/3 Fax: 27 11 781 9909  
 email: sales@spacetv.co.za www.spacetv.co.za

**Branches:**

**RANDBURG**  
 +27 11 781 9900/1/2/3  
**JOHANNESBURG**  
 +27 11 493 5783/4/5  
**PRETORIA**  
 +27 12 644 0650/1

**CAPE TOWN**  
 +27 21 462 5103/4/5  
**BRACKENFELL (Cape Town)**  
 +27 21 981 4527/8  
**PORT ELIZABETH**  
 +27 41 484 1543/6/7/8

**DURBAN**  
 +27 31 303 8701/2/3/4/5  
**EAST LONDON**  
 +27 43 727 1262

**HELPLINE 0861 40 41 42**